

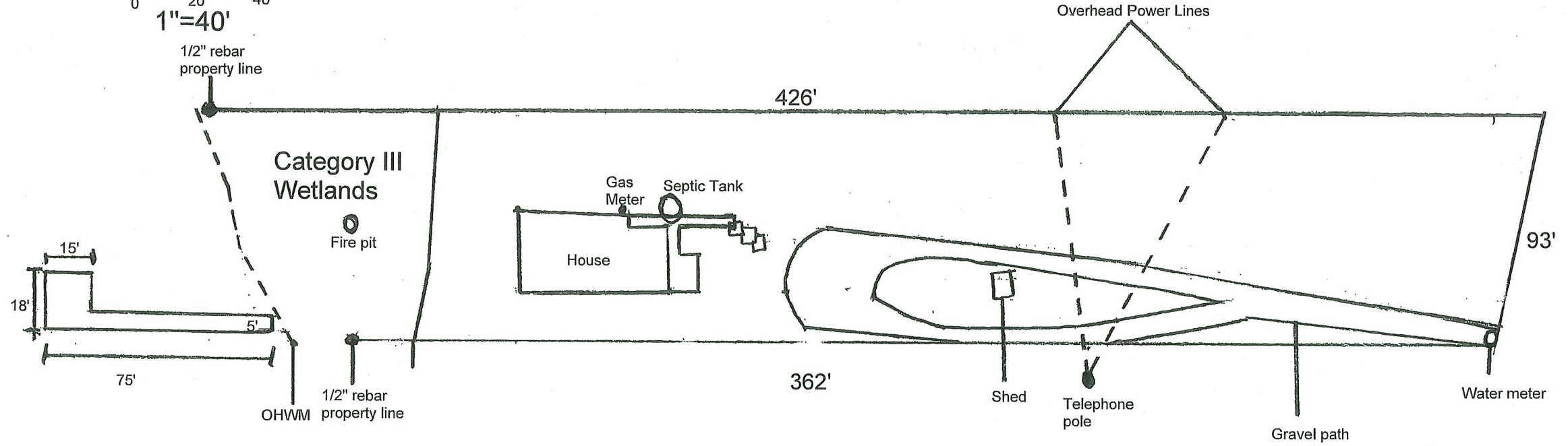
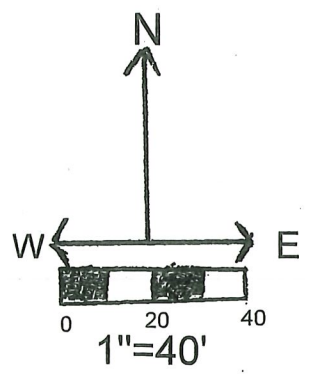
SH0218-0002

RECEIVED

JAN 16 2018

KING COUNTY
D.P.E.R.

Wendy Cutler
17339 191st Ave NE
Woodinville, WA 98072
Parcel# 1628700020



Distance from top rebar property line to OHWM is 2'
Distance from bottom rebar property line to OHWM is 20'

COPY